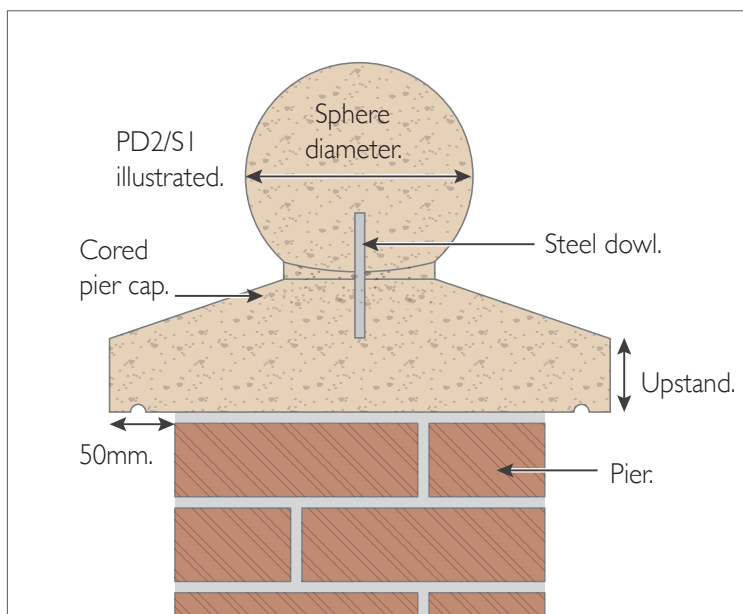


CAST STONE DECORATIVE SPHERES & PIER CAPS

Cast stone spheres are a popular addition to pier caps or even to simply sit adjacent to a driveway to keep traffic off the grass. Pier caps and spheres are supplied as separate units along with a stainless steel locator dowel.

The pier cap must be mortared into place for at least 1 week prior to placement of the sphere. To create a feature a 'cored' pier cap is required and the table indicates available sizes and suitable spheres. Refer to the current Cast Stone Dressings brochure for more information.



The sphere aperture must be filled with masonry epoxy adhesive and the dowel inserted and hardened before placement.

Fill the pier cap aperture and the flat surface of the sphere base with masonry epoxy adhesive just before seating the sphere in position.

Spheres are very heavy, consider lifting equipment to position the unit.

In regions rated as severe exposure to wind driven rain, overhanging throated copings must be used to protect masonry walling and parapets.

Pier Cap Code	Pier Size Length/Width (mm)	Total Cap Height (mm)	Cap Length (mm)	Cap Upstand (mm)	Cap Weight (Kg)	Sphere Code	Sphere Diameter (mm)	Seating Square Dimension (mm)	Sphere Weight (Kg)	Dowel Length (mm) Diameter 10mm
PD1	215 x 215	106	315	75	18	S1	228	120	14	100
PD2	327 x 327	111	425	75	32	S1	228	120	14	100
PD3	440 x 440	122	540	75	57	S2 or S3	305 or 380	150	32 or 61	100
PD4	552 x 552	125	650	75	84	S2 or S3	305 or 380	150	32 or 61	100
PD5	665 x 665	127	765	75	117	S2 or S3	305 or 380	150	32 or 61	100

Although the instructions contained in this publication and any other information published by Forticrete Ltd are believed to be accurate at the date of publication, they are strictly for guidance only and Forticrete Ltd accepts no liability in relation to their use or for any losses, howsoever caused. You are responsible for taking all reasonable steps to ensure your use of the product conforms to all applicable health and safety requirements from time to time. If in doubt, please consult appropriately qualified persons. All products sold by Forticrete are sold subject to Forticrete Terms and Conditions of Sale, a copy of which is available on request.